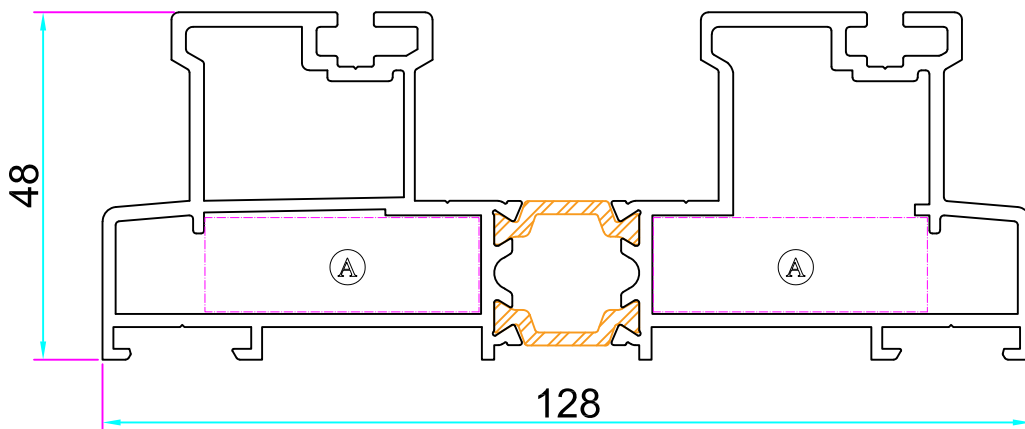
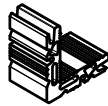
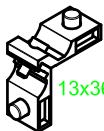


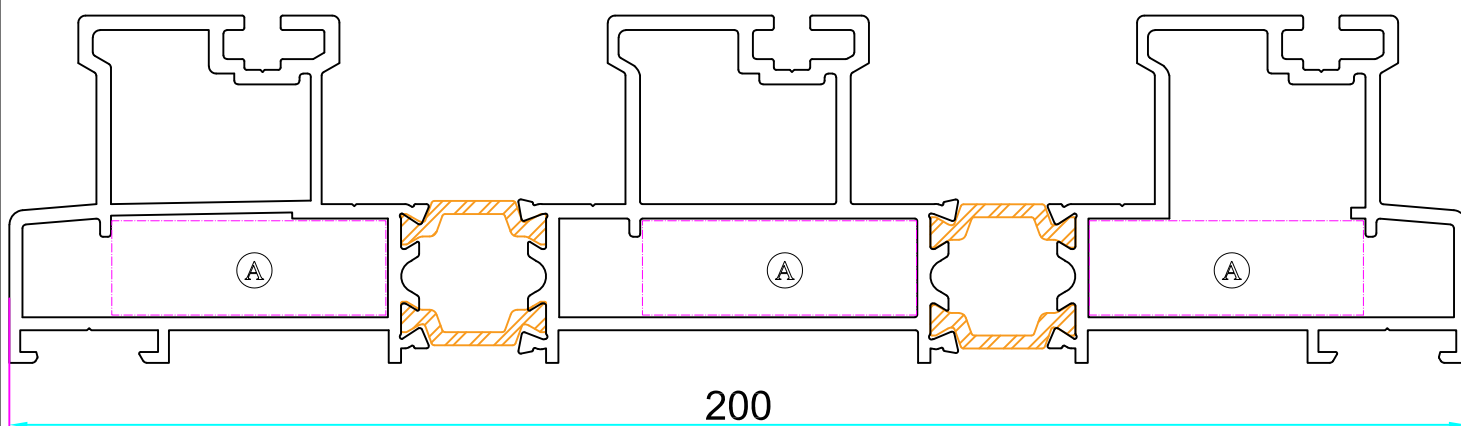


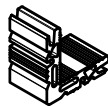
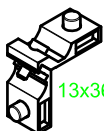
ALSTAR
Industrial
Complex

TH LIFT 128



| FRAME | Out Code | In Code | Jx | Jy |
|--|--|---------|------|----|
| | 12082 | 12081 | | |
|  150119-38 |  13x36 | Ⓐ | G/M | |
| | | | 2900 | |

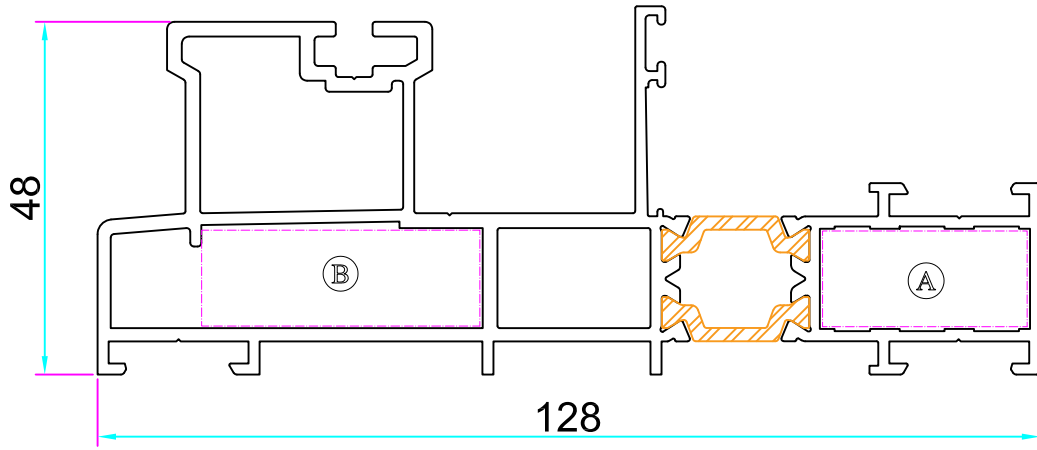


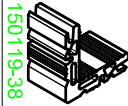

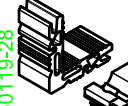

| FRAME | Out Code | Cent Code | In Code | Jx | Jy |
|--|--|-----------|---------|----|----|
| | 12082 | 12087 | 12081 | | |
|  150119-38 |  13x36 | Ⓐ | G/M | | |
| | | | 4500 | | |

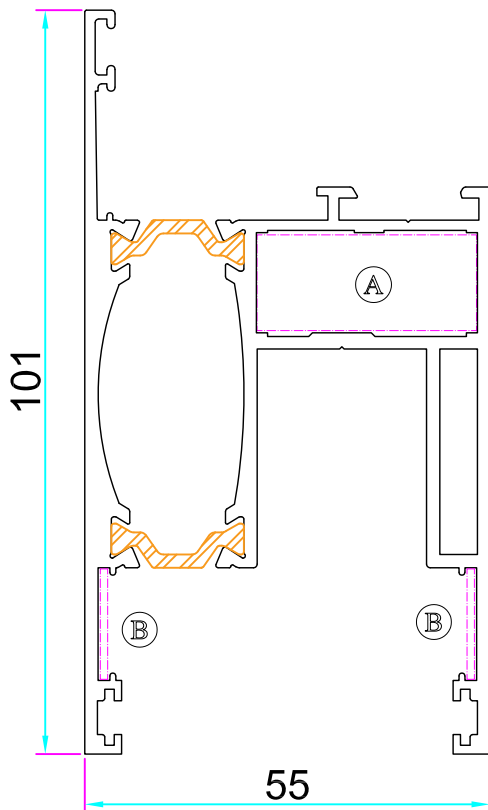


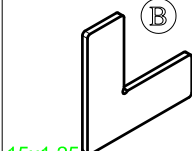
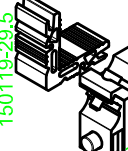
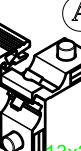
**ALSTAR
Industrial
Complex**

TH LIFT 128



| FRAME | Out Code | In Code | Jx | Jy |
|---|----------|---|----------|------|
| | | 120812 | 120813 | |
|   | B |   | A | G/M |
| | | | | 2630 |

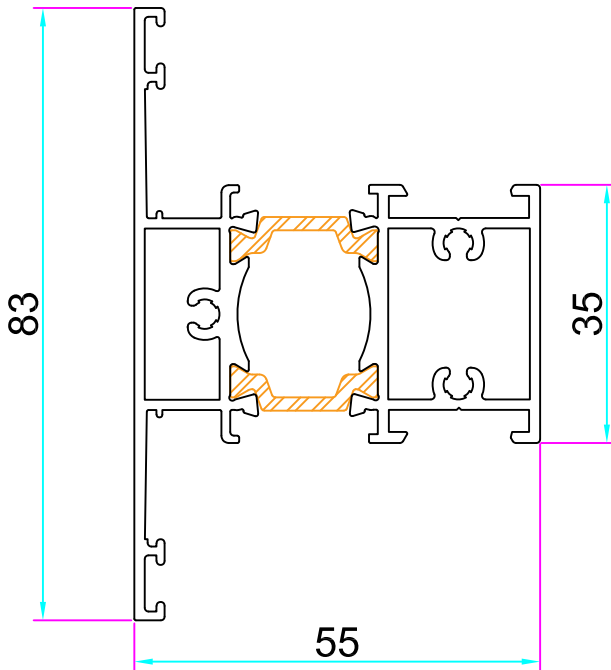


| SASH | Out Code | In Code | Jx | Jy |
|---|----------|---|----------|------|
| | | 12084 | 12083 | |
|  | B |   | A | G/M |
| | | | | 2210 |

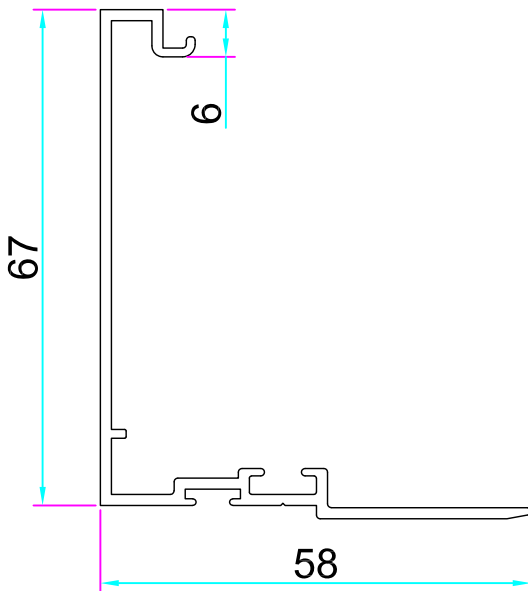


ALSTAR
Industrial
Complex

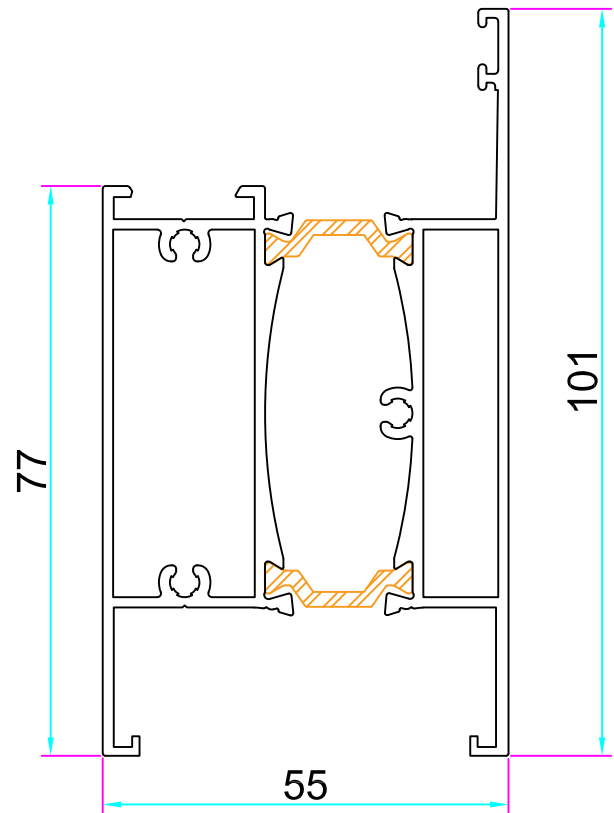
TH LIFT 128



| MULION | | Out Code | In Code |
|--------|----|----------|---------|
| | | 12088 | 12089 |
| Jx | Jy | G/M | |
| | | 1630 | |



| INTERLOCK | | | Code |
|-----------|----|-----|-------|
| | | | 12085 |
| Jx | Jy | G/M | |
| | | 670 | |

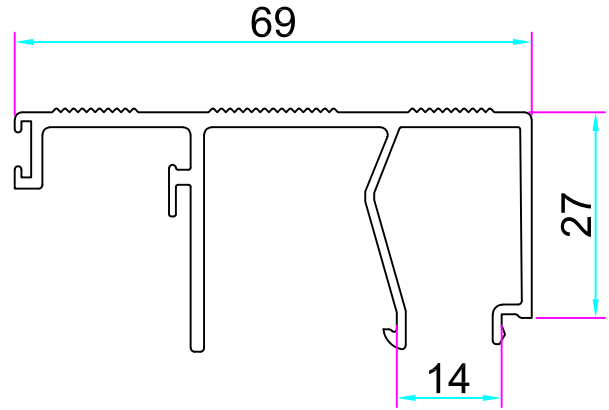
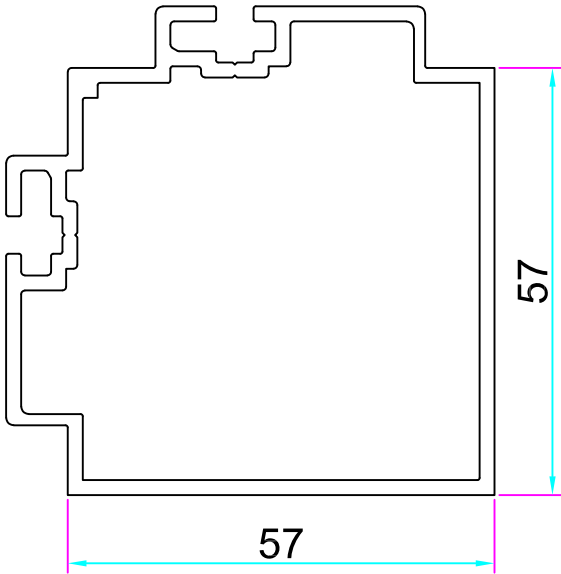


| MULION | | Out Code | In Code |
|--------|----|----------|---------|
| | | --- | --- |
| Jx | Jy | G/M | |
| | | 2000 | |



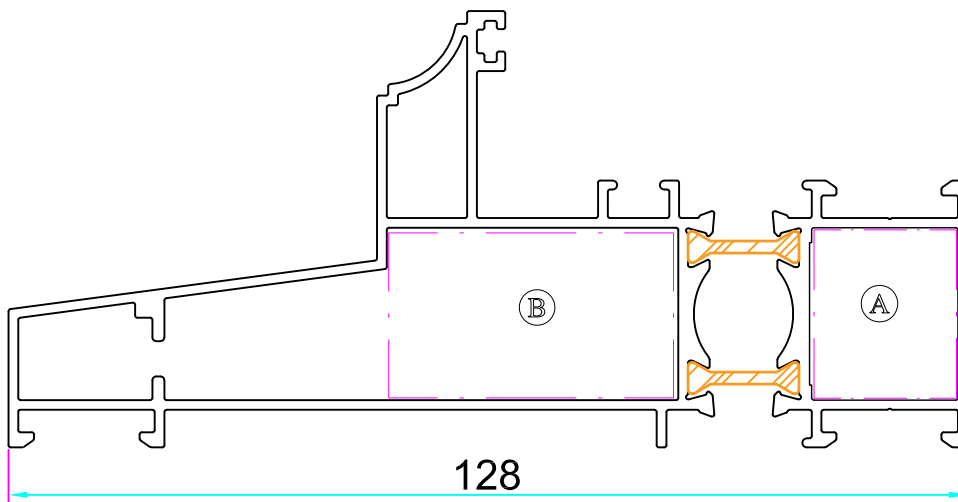
ALSTAR
Industrial
Complex

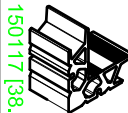
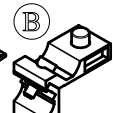
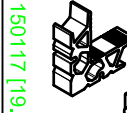
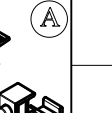
TH LIFT 128



| CORNER PROFILE | | Code |
|----------------|----|--------|
| | | 120818 |
| Jx | Jy | G/M |
| | | 1630 |

| CAP | | Code |
|-----|----|--------|
| | | 120814 |
| Jx | Jy | G/M |
| | | 910 |

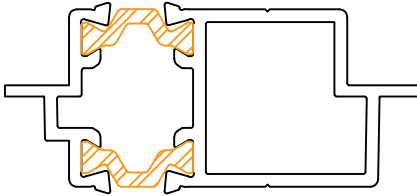


| FRAME | Out Code | In Code | Jx | Jy |
|--|--|--|--|------|
| | 110622 | 110601 | | |
|  150117 [38,5mm] |  22x37 |  150117 [19,2mm] |  22x19 | G/M |
| | | | | 2000 |

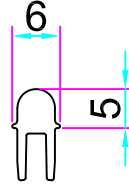


ALSTAR
Industrial
Complex

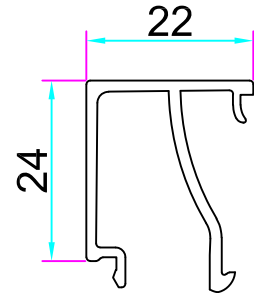
TH LIFT 128



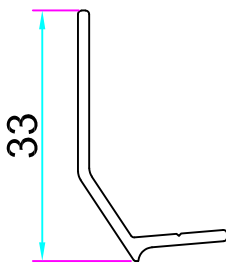
| INTERCELL | | Out Code | In Code |
|-----------|----|----------|---------|
| | | 120810 | 120811 |
| Jx | Jy | G/M | |
| | | 870 | |



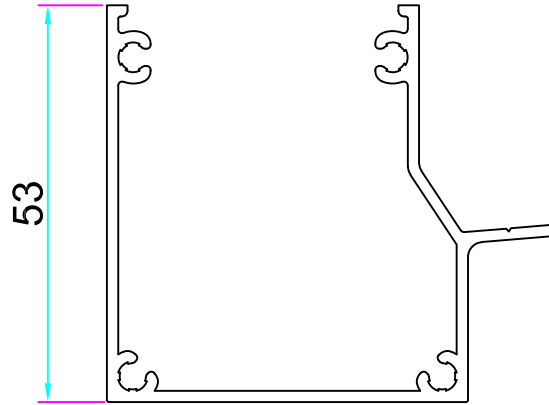
| ALUMINIUM RAIL | | Code |
|----------------|----|--------|
| | | 120815 |
| Jx | Jy | G/M |
| | | 130 |



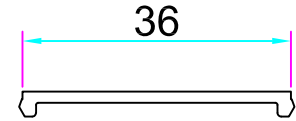
| GLAZING | | Code |
|---------|----|-------|
| | | 12086 |
| Jx | Jy | G/M |
| | | 350 |



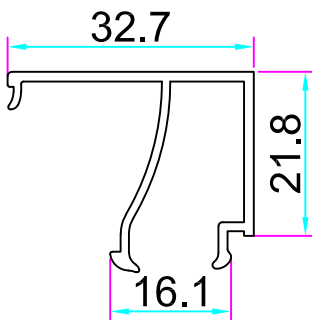
| COLLECT WATER RAIL | | Code |
|--------------------|----|--------|
| | | 120819 |
| Jx | Jy | G/M |
| | | 200 |



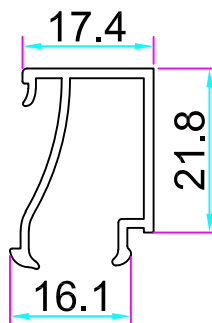
| GUTTER | | Code |
|--------|----|--------|
| | | 120817 |
| Jx | Jy | G/M |
| | | 850 |



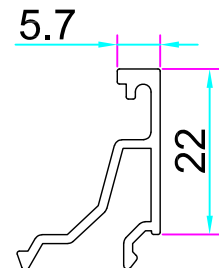
| GUTTER CAP | | Code |
|------------|----|--------|
| | | 120816 |
| Jx | Jy | G/M |
| | | 180 |



| GLAZING | | Code |
|---------|------|-------|
| | | 11069 |
| Jx | Jy | G/M |
| 1 | 0.95 | 340 |



| GLAZING | | Code |
|---------|------|--------|
| | | 110922 |
| Jx | Jy | G/M |
| 0.77 | 0.41 | 300 |



| GLAZING | | Code |
|---------|------|-------|
| | | 11038 |
| Jx | Jy | G/M |
| 0.55 | 0.22 | 250 |



**ALSTAR
Industrial
Complex**






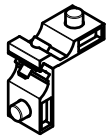


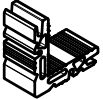

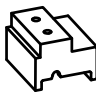
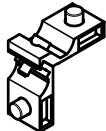





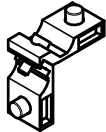

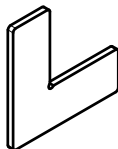

TH LIFT 128

| | | | | | | | |
|---------------------|----------------------|----------------------|--|-----------------|----------------------|----------------------|--|
| Frame | Jx (cm) ⁴ | Jy (cm) ⁴ | | Gutter | Jx (cm) ⁴ | Jy (cm) ⁴ | |
| 12082-12081 | Gr / Metr | 2900 | | 120817 | Gr / Metr | 850 | |
| Frame | Jx (cm) ⁴ | Jy (cm) ⁴ | | Gutter Cap | Jx (cm) ⁴ | Jy (cm) ⁴ | |
| 12082-12087-12081 | Gr / Metr | 4500 | | 120816 | Gr / Metr | 180 | |
| Sash | Jx (cm) ⁴ | Jy (cm) ⁴ | | Glazing | Jx (cm) ⁴ | Jy (cm) ⁴ | |
| 12084-12083 | Gr / Metr | 2210 | | 11069 | Gr / Metr | 340 | |
| Mulion | Jx (cm) ⁴ | Jy (cm) ⁴ | | Glazing | Jx (cm) ⁴ | Jy (cm) ⁴ | |
| 12088-12089 | Gr / Metr | 1630 | | 110922 | Gr / Metr | 300 | |
| Frame | Jx (cm) ⁴ | Jy (cm) ⁴ | | Glazing | Jx (cm) ⁴ | Jy (cm) ⁴ | |
| 120812-120813 | Gr / Metr | 2630 | | 11038 | Gr / Metr | 250 | |
| Mulion | Jx (cm) ⁴ | Jy (cm) ⁴ | | Engraving Frame | Jx (cm) ⁴ | Jy (cm) ⁴ | |
| | Gr / Metr | 2000 | | 110622-110601 | Gr / Metr | 2000 | |
| Monorail Cap | Jx (cm) ⁴ | Jy (cm) ⁴ | | | Jx (cm) ⁴ | Jy (cm) ⁴ | |
| 120814 | Gr / Metr | 910 | | | Gr / Metr | | |
| Aluminium Rail | Jx (cm) ⁴ | Jy (cm) ⁴ | | | Jx (cm) ⁴ | Jy (cm) ⁴ | |
| 120815 | Gr / Metr | 130 | | | Gr / Metr | | |
| Interlock | Jx (cm) ⁴ | Jy (cm) ⁴ | | | Jx (cm) ⁴ | Jy (cm) ⁴ | |
| 12085 | Gr / Metr | 670 | | | Gr / Metr | | |
| Glazing | Jx (cm) ⁴ | Jy (cm) ⁴ | | | Jx (cm) ⁴ | Jy (cm) ⁴ | |
| 12086 | Gr / Metr | 350 | | | Gr / Metr | | |
| Intercell | Jx (cm) ⁴ | Jy (cm) ⁴ | | | Jx (cm) ⁴ | Jy (cm) ⁴ | |
| 120810-120811 | Gr / Metr | 870 | | | Gr / Metr | | |
| Corner Profile | Jx (cm) ⁴ | Jy (cm) ⁴ | | | Jx (cm) ⁴ | Jy (cm) ⁴ | |
| 120818 | Gr / Metr | 1630 | | | Gr / Metr | | |
| Collect Watter Rail | Jx (cm) ⁴ | Jy (cm) ⁴ | | | Jx (cm) ⁴ | Jy (cm) ⁴ | |
| 120819 | Gr / Metr | 200 | | | Gr / Metr | | |



**ALSTAR
Industrial
Complex**

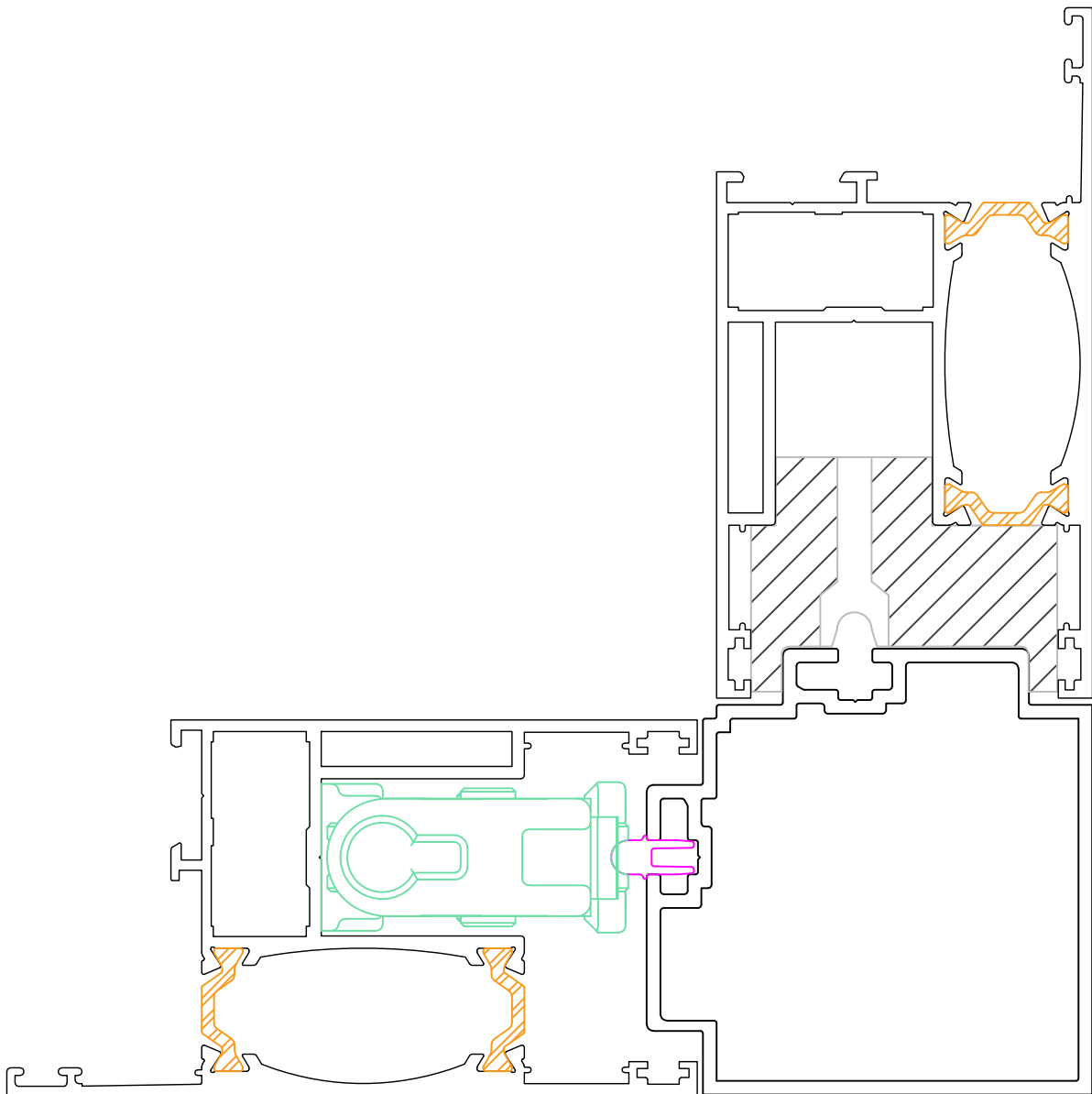
TH LIFT 128

| | | | | | | | | |
|----------|---------------|---|----------|---------------------|--|----------|-----------------|---|
| Code | B152- 5mm |  | Code | 69x900 |  | Code | 150119 - 28mm |  |
| Location | Glazing | | Location | Interlock | | Location | Frame | |
| Usage | Glass Clipper | | Usage | Brush | | Usage | Corner Clamp | |
| Material | EPDM | | Material | --- | | Material | Aluminium | |
| Code | B 152 |  | Code | 69x700 |  | Code | 13x27 |  |
| Location | Glazing | | Location | Cap | | Location | Frame | |
| Usage | Glass Clipper | | Usage | Brush | | Usage | Corner Clit | |
| Material | EPDM | | Material | --- | | Material | Aluminium | |
| Code | B 768 |  | Code | Bearing |  | Code | 150119 - 29.5mm |  |
| Location | Sash | | Location | Sash | | Location | Sash | |
| Usage | Seal | | Usage | Lift & Sliding | | Usage | Corner Clamp | |
| Material | EPDM | | Material | --- | | Material | Aluminium | |
| Code | B 767 |  | Code | Balancer |  | Code | 13x28 |  |
| Location | Frame& Sash | | Location | Sash | | Location | Sash | |
| Usage | Seal | | Usage | Balancing | | Usage | Corner Clit | |
| Material | EPDM | | Material | Plastic | | Material | Aluminium | |
| Code | B 757 |  | Code | Interlock Cap |  | Code | 150119 - 38mm |  |
| Location | Interlock | | Location | Bottom of Interlock | | Location | Frame | |
| Usage | Bumper | | Usage | Security | | Usage | Corner Clamp | |
| Material | EPDM | | Material | Plastic | | Material | Aluminium | |
| Code | B 802 |  | Code | Interlock Cap |  | Code | 13x36 |  |
| Location | Wall Cover | | Location | Top of Interlock | | Location | Frame | |
| Usage | Seal | | Usage | Security | | Usage | Corner Clit | |
| Material | EPDM | | Material | Plastic | | Material | Aluminium | |
| Code | --- |  | Code | 15x1.25 |  | Code | 22x19 |  |
| Location | Frame | | Location | Sash | | Location | Frame | |
| Usage | Seal | | Usage | Corner setting | | Usage | Corner Clit | |
| Material | EPDM | | Material | Metal | | Material | Aluminium | |

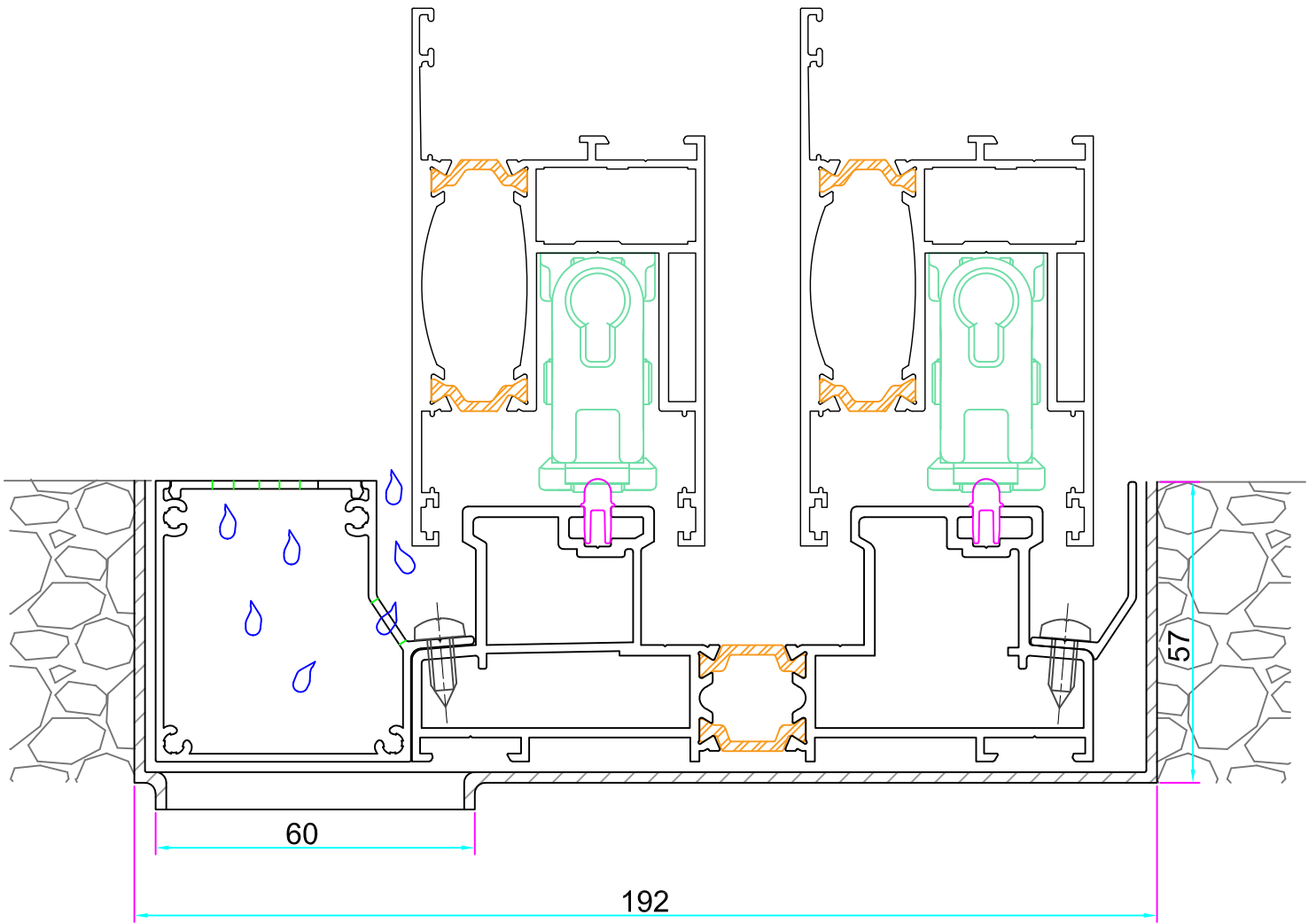


ALSTAR
Industrial
Complex

TH LIFT 128



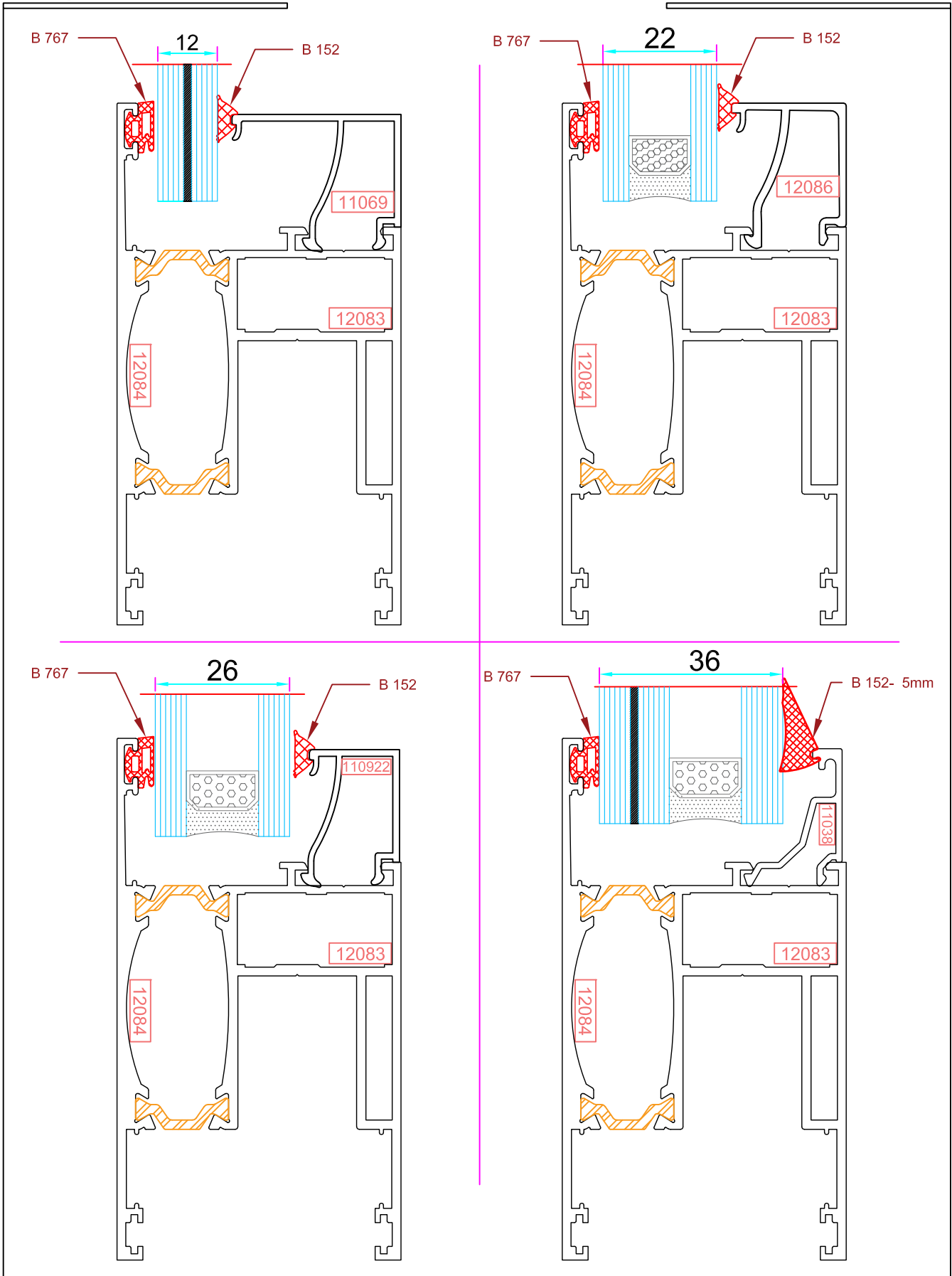
TH LIFT 128





ALSTAR
Industrial
Complex

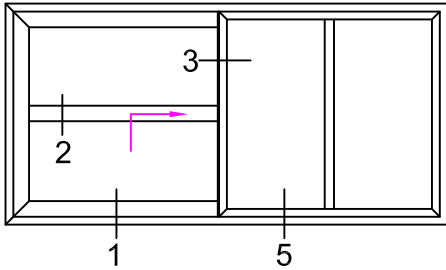
TH LIFT 128



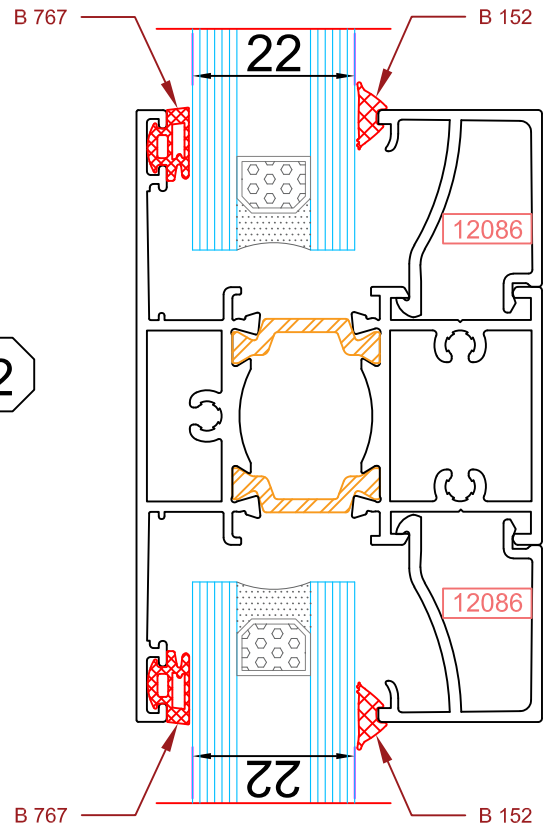


ALSTAR
Industrial
Complex

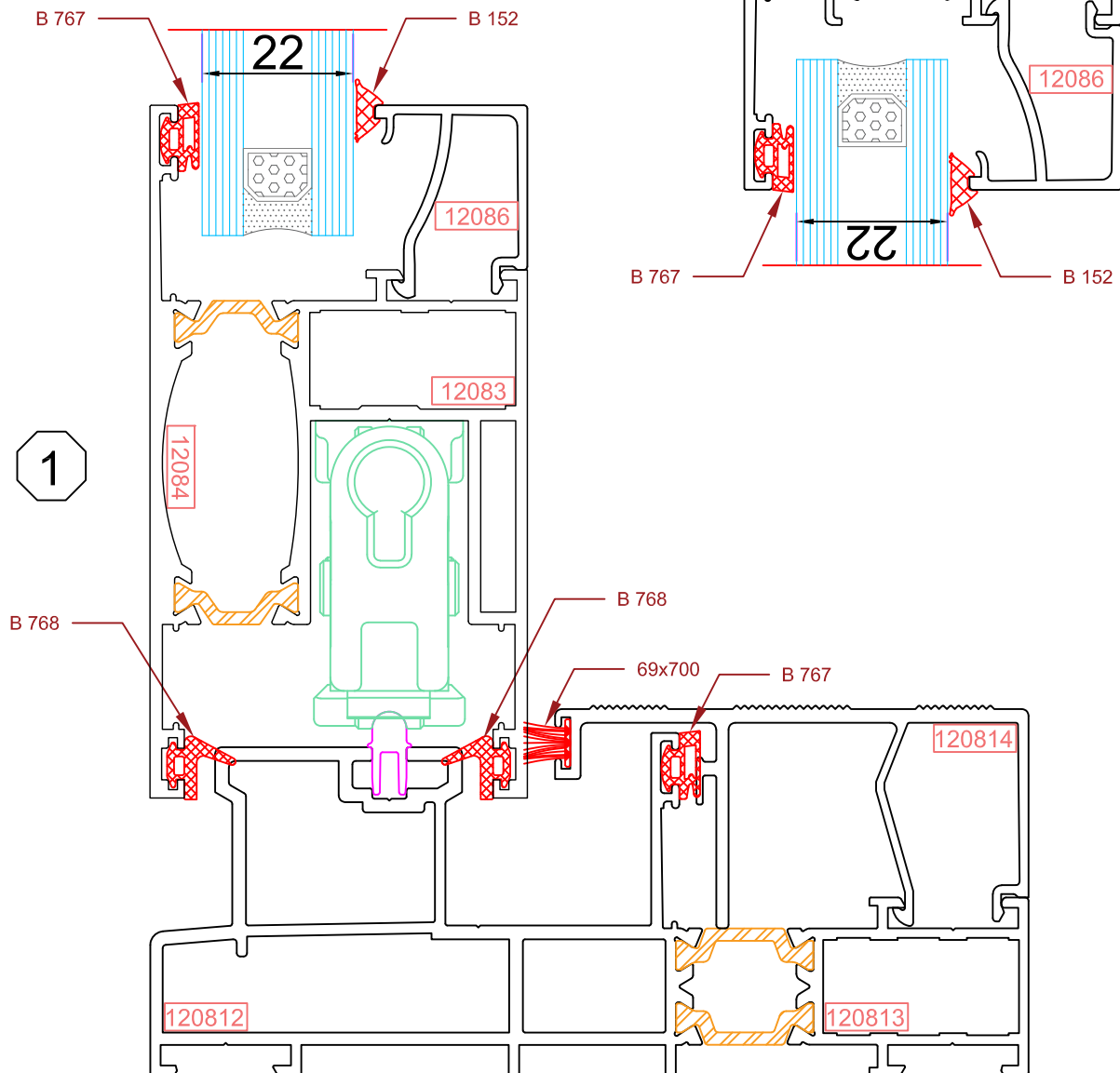
TH LIFT 128



2



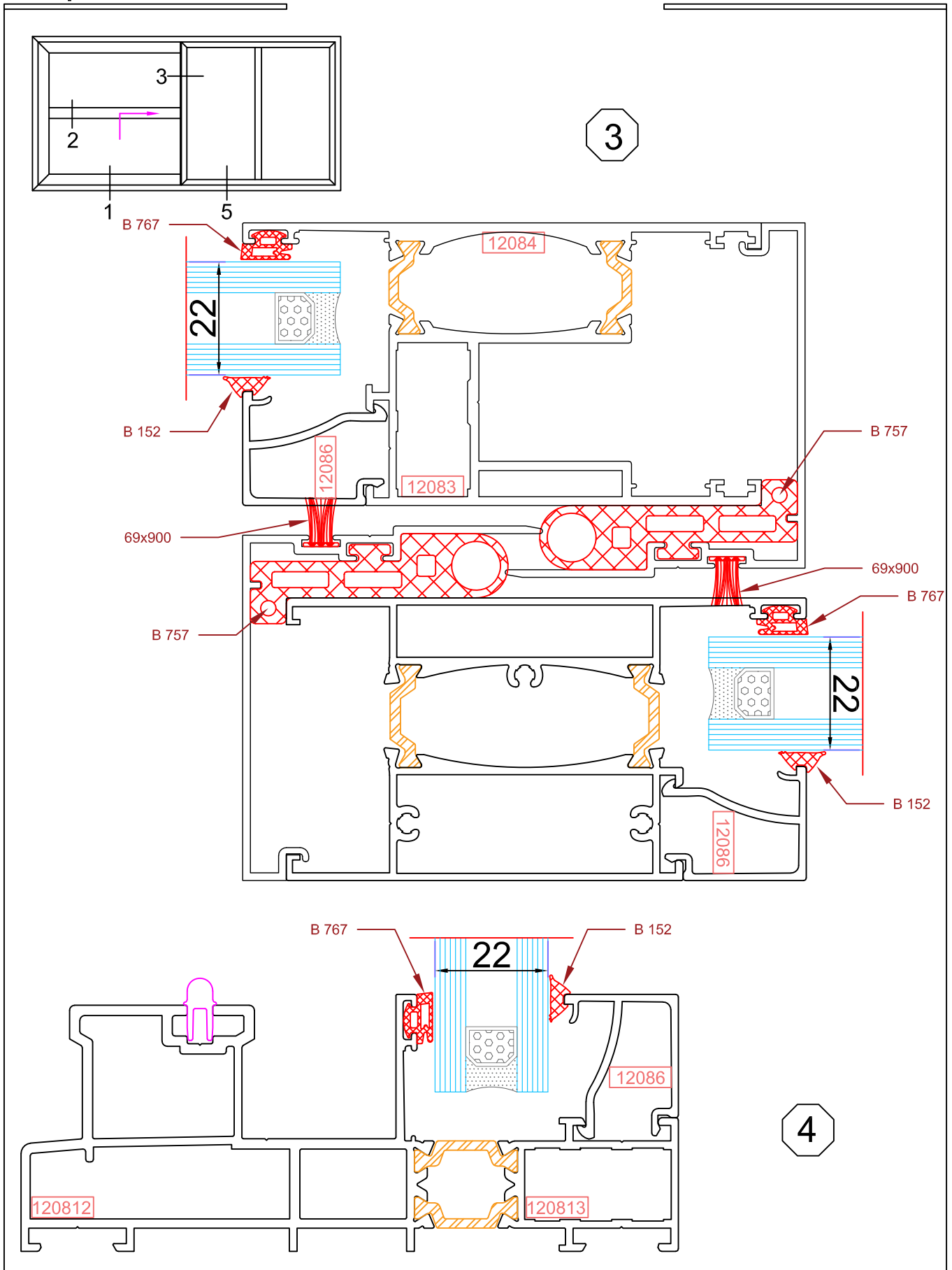
1





ALSTAR
Industrial
Complex

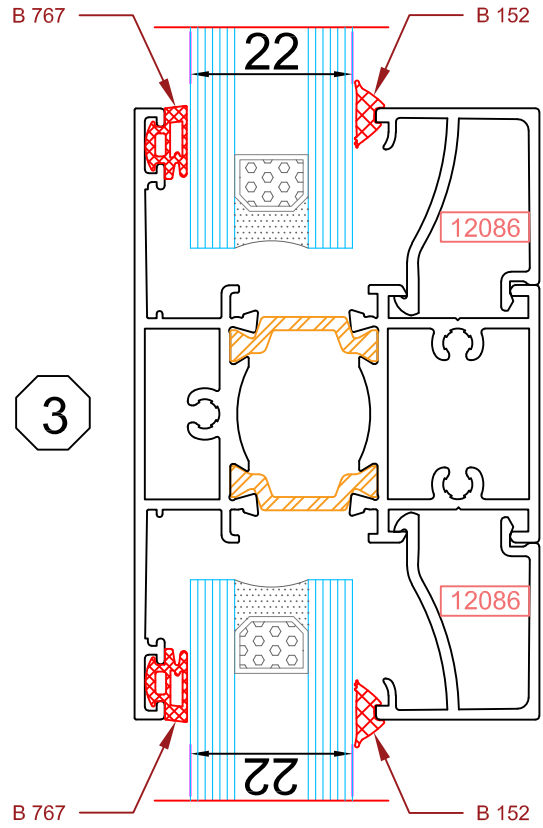
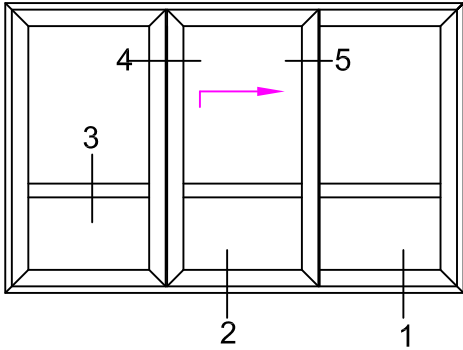
TH LIFT 128



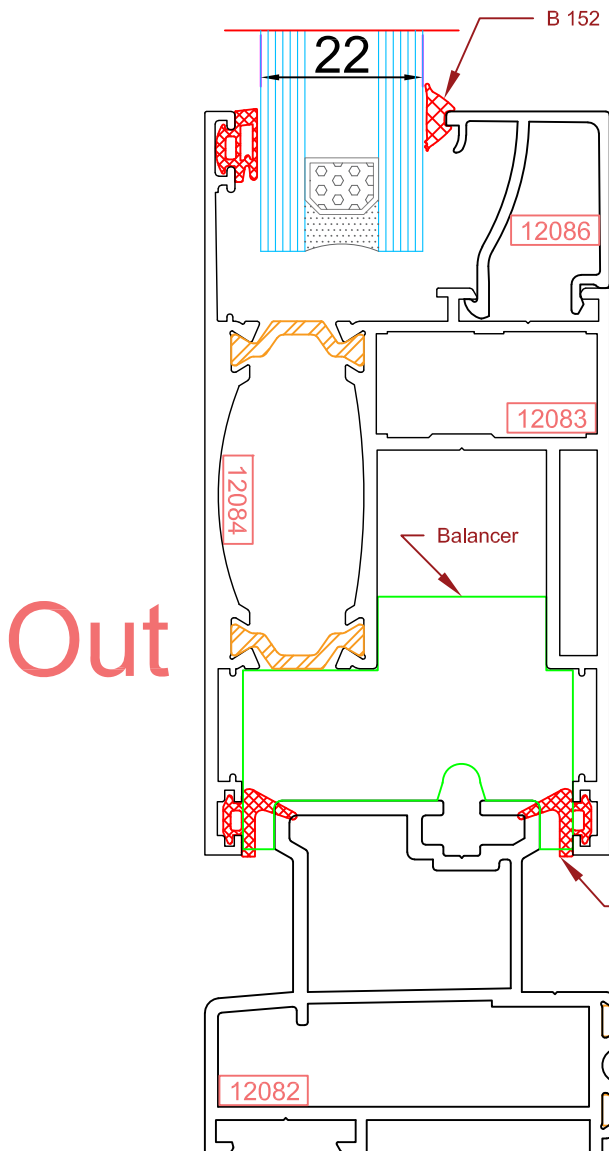


ALSTAR
Industrial
Complex

TH LIFT 128



3



1

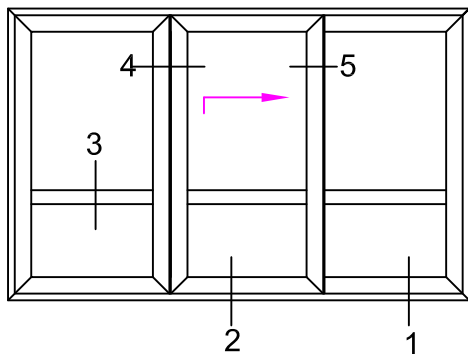
Out

In

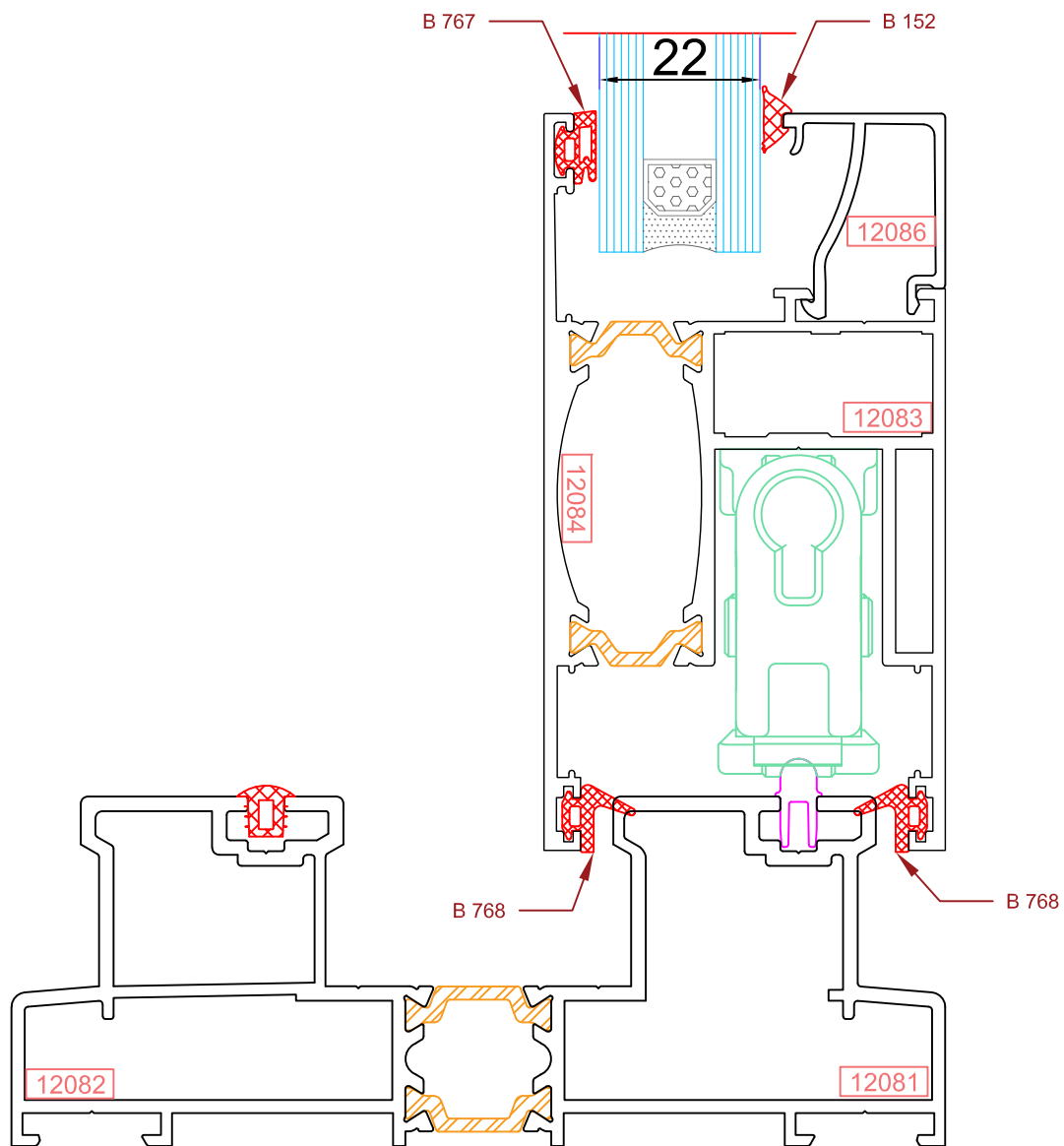


ALSTAR
Industrial
Complex

TH LIFT 128



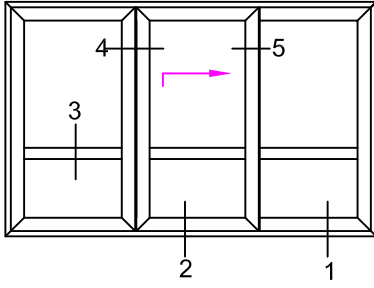
2



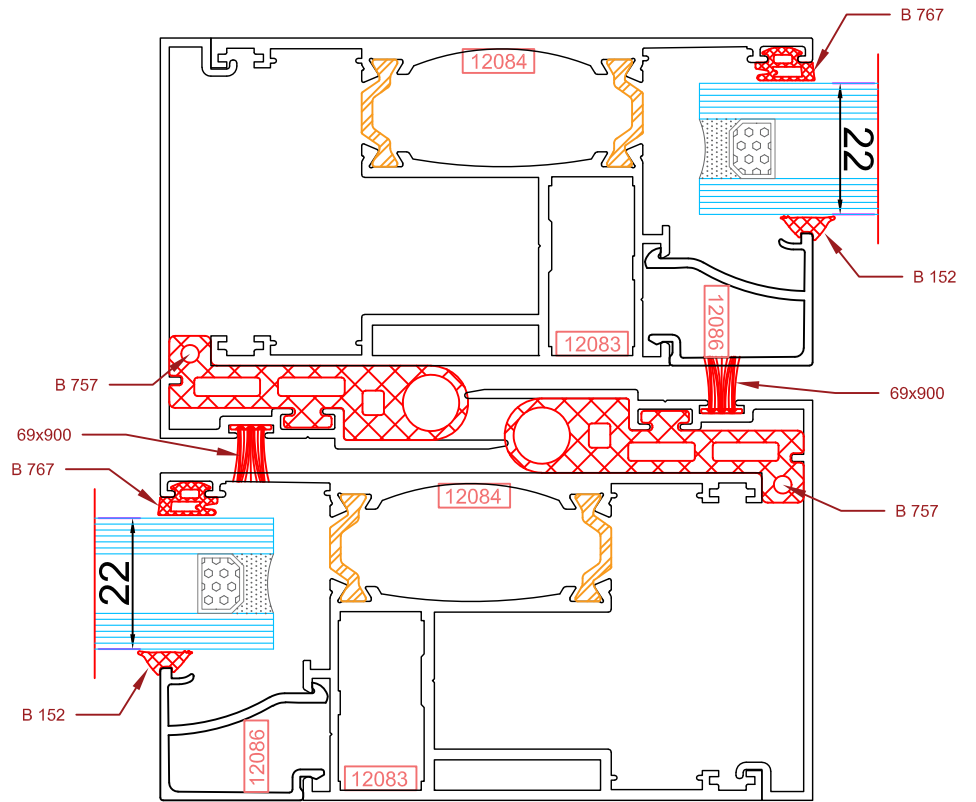


ALSTAR
Industrial
Complex

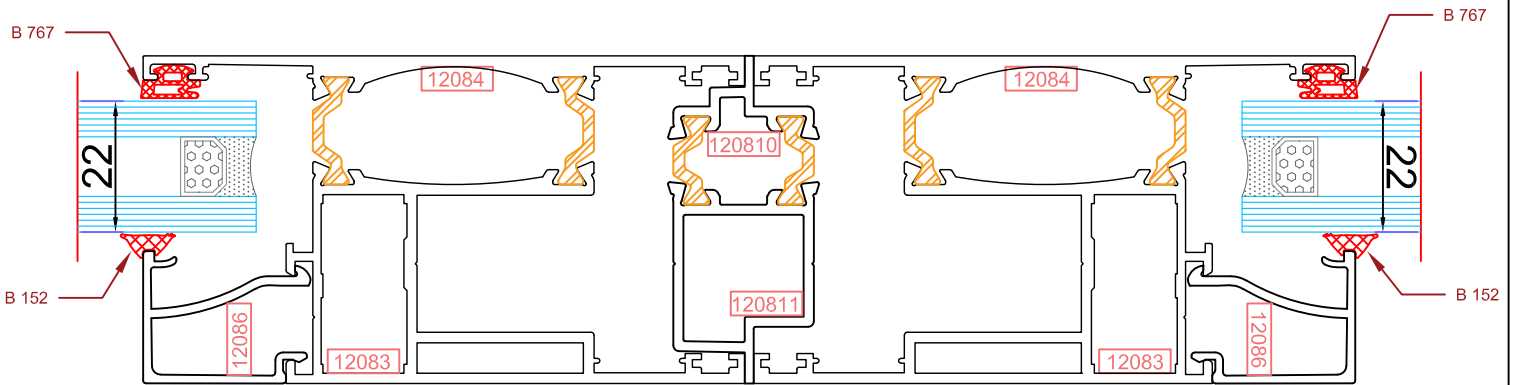
TH LIFT 128



5



4

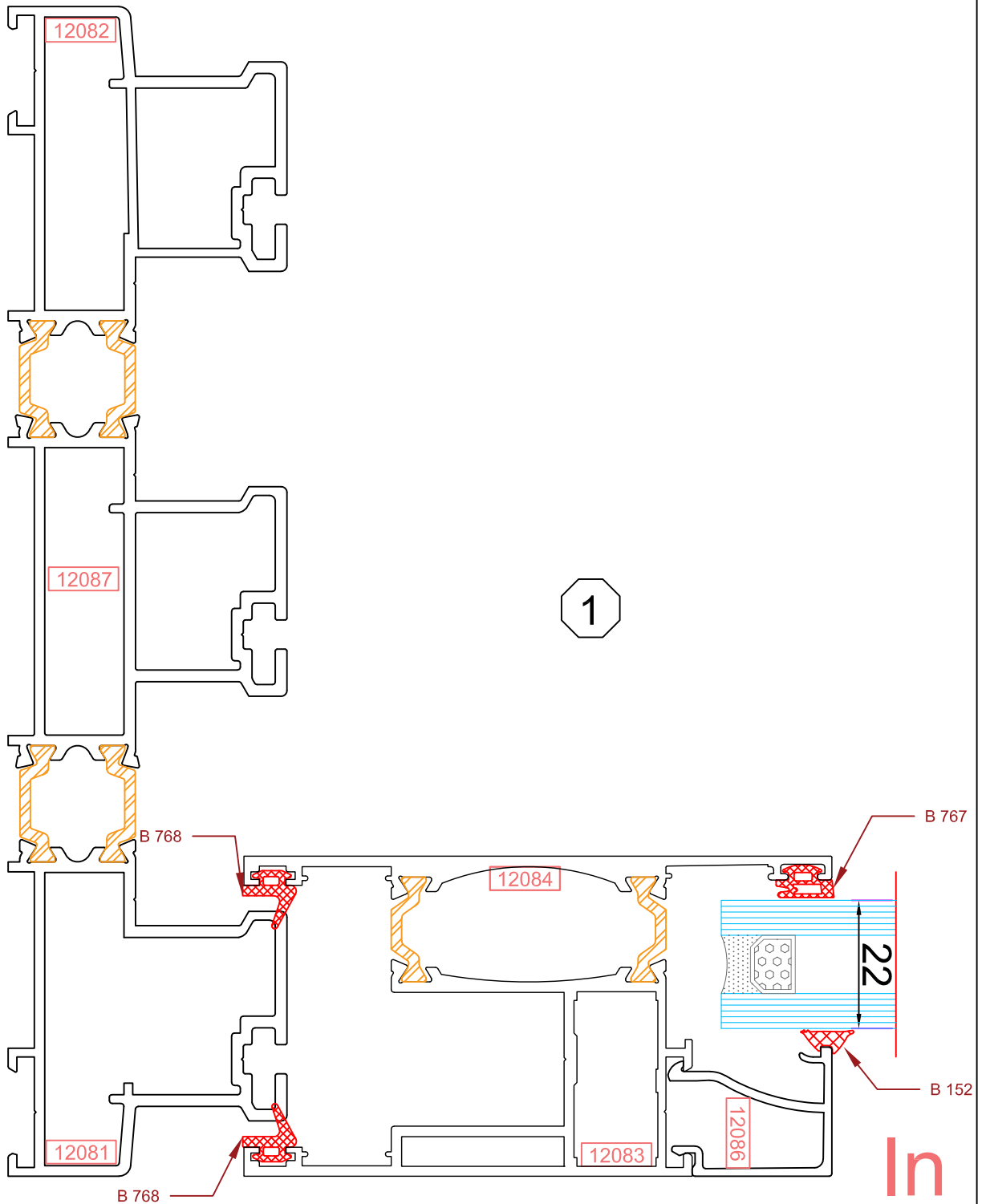
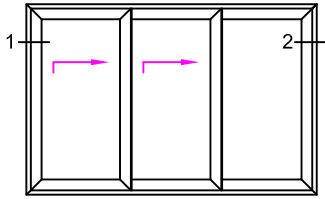




ALSTAR
Industrial
Complex

TH LIFT 128

Out





ALSTAR
Industrial
Complex

TH LIFT 128

